



MAX16803EVKIT+BJT Evaluation Kit+

General Description

The MAX16803EVKIT+BJT (EV kit) demonstrates a high-current LED driver with accurate current control based on the MAX16803 current regulator. This EV kit is capable of supplying regulated LED currents of up to 1A and can operate at supply voltages between 6.5V to 40V, and temperatures ranging from 0°C to +70°C.

The MAX16803EVKIT+BJT features pulse-width modulation (PWM) dimming control, user-selectable three-level output-current setting, and a 5V-regulated output, which can supply up to 4mA of output current. The MAX16803EVKIT+BJT EV kit is a fully assembled and tested printed-circuit board (PCB).

Warning: Under severe fault or failure conditions, this EV kit can dissipate large amounts of power. Operate this EV kit with care to avoid possible personal injury.

Features

- ◆ 6.5V to 40V Supply Voltage Range
- ◆ Selectable 450mA, 750mA, or 1A Output Current
- ◆ On-Board LED Load Rated for 1A
- ◆ Auxiliary 5V-Regulated Output
- ◆ Wide-Range Dimming with PWM Control Signal

Ordering Information

PART	TEMP RANGE	IC PACKAGE
MAX16803EVKIT+BJT	0°C to +70°C*	16 TQFN-EP**

+ Denotes a lead-free and RoHS-compliant EV kit.

* This limited temperature range applies to the EV kit PCB only. The MAX16803 IC temperature range is -40°C to +125°C.

**EP = Exposed pad.

Component List

DESIGNATION	QTY	DESCRIPTION
C1	1	1μF, 50V X7R ceramic capacitor (1206) Murata GRM31MR71H105KA
C2	1	0.1μF, 16V X7R ceramic capacitor (0805) TDK C2012X7R1C104K-0.85
J1, J2, J5, J6, J7	5	0.1in, 2-pin headers (through hole)
J3, J4	2	0.1in, 3-pin headers (through hole)
Q1	1	npn epitaxial silicon transistor (DPAK) Fairchild MJD31CTF

DESIGNATION	QTY	DESCRIPTION
R1	1	0.2Ω ±1%, 1/4W resistor (0805) Susumu RP2012T-R20-F
R2	1	0.27Ω ±1%, 1/4W resistor (0805) Susumu RP2012T-R27-F
U1	1	MAX16803ATE+ (5mm x 5mm, 16-pin thin QFN-EP)
—	1	PCB: MAX16803EVKIT+BJT Evaluation Kit+

Component Suppliers

SUPPLIER	PHONE	FAX	WEBSITE
Murata Mfg. Co., Ltd.	770-436-1300	770-436-3030	www.murata.com
Fairchild Semiconductor	972-910-8000	972-910-8036	www.fairchildsemi.com
KEMET Corp.	1-978-658-1663	1-978-658-1790	www.kemet.com
Susumu International USA	1-208-328-0307	1-208-328-0308	www.susumu-usa.com

Note: Indicate that you are using the MAX16803 when contacting these component suppliers.

Evaluates: 1A Output Current Regulator Based on MAX16803



MAX16803EVKIT+BJT Evaluation Kit+

Quick Start

Recommended Equipment

- 0 to 30V (or above), 1.5A power supply

Procedure

The MAX16803EVKIT+BJT EV kit is fully assembled and tested. Follow the steps below to verify board operation. **Caution: Do not turn on the power supply until all connections are completed.**

- 1) Connect a 0 to 30V (or above), 1.5ADC power supply to VIN.
- 2) Close jumpers J2, J5, and J7.
- 3) Place jumper J3 between pin 1 (DIM) and pin 2 (+5V).
- 4) Open all pins of jumper J4 to select 450mA output current.
- 5) Connect one 1A-rated LED string with 3 LEDs in series between LED+ and LED-.
- 6) Turn on the power supply and increase the input voltage to above 10V. The LED should light up with full brightness. Measure the LED current to confirm 450mA \pm 3.5%.
- 7) Increase the supply voltage to 13V and the LED current will remain stable. Measure the LED current to show 450mA \pm 3.5%. Measure voltage across V5 to show 5.28V \pm 5%.

Detailed Description

The MAX16803EVKIT+BJT EV kit demonstrates a high-current LED driver with accurate current control based on the MAX16803 current regulator. This EV kit is capable of supplying regulated output currents of up to 1A and can run at supply voltages between 6.5V to 40V.

The MAX16803EVKIT+BJT EV kit features PWM dimming for control of the LED brightness by varying the duty cycle of the PWM input signal. Users can select between three levels of LED currents by setting jumper J4. See Table 1 for jumper settings. The MAX16803EVKIT+BJT EV kit also includes a connection for the 5V-regulated output and access to the on-board current-sense resistor.

Output Current Setting

The output current can be set to 450mA, 750mA, or 1A by adjusting the position of jumper J4. See Table 1 for jumper settings. The output current can be adjusted by

replacing resistors R2 or R3 with value calculated using the following equation:

$$R_{\text{TotalSensor}} = \frac{0.203}{I_{\text{OUT}}}$$

where $R_{\text{TotalSensor}}$ is the external current-sense resistor between CS+ and CS-, and I_{OUT} is the desired output current.

PWM Dimming

The PWM dimming controls the LED brightness by adjusting the duty cycle of the PWM input signal connected to the DIM input. A *high* at the PWM_IN input turns on the output current and a *low* turns off the LED current. Connect a signal with amplitude between 5V and 40V and with frequency between 100Hz–2kHz, and vary the duty cycle to adjust the LED brightness. LED brightness increases when duty cycle increases and vice versa. Duty cycle can be as low as 10%, even at a PWM frequency of 2kHz.

5V-Regulated Output

The 5V regulator can be used to power other components from the V5 connector. The 5V output can supply up to 4mA of current and is not disabled during PWM low.

Power Dissipation and Thermal Management

The power dissipation in the MAX16803 can be calculated using the following equation:

$$P_1 = I_B \times V_{\text{DROP}}$$

where P_1 is the power dissipation in MAX16803, I_B is the output current of MAX16803 (the base current of Q1), and V_{DROP} is the voltage drop between IN and OUT of this device.

Thermal shutdown turns the device off if power dissipation in the MAX16803 causes the junction temperature to reach +155°C (typ).

The power dissipation in BJT can be calculated using the following equation:

$$P_2 = I_E \times V_{\text{CE}} = I_{\text{OUT}} \times (V_{\text{IN}} - V_{\text{FDLED}} - V_{\text{RSENSE}})$$

where P_2 is the power dissipation in BJT, Q1. I_E is the emitter current of Q1, which is the actual LED current, and V_{CE} is the voltage drop between collector and emitter of the BJT. V_{FDLED} is the forward voltage across the LED string and V_{RSENSE} is the voltage across the current-sense resistor, equal to 203mV.

MAX16803EVKIT+BJT Evaluation Kit+

An external resistor can be added at the input to the device, or in series with LED, to reduce the power dissipation in the BJT. The resistor's power rating should be higher than I^2R (where I is the input current, or LED current, and R is the value of the added resistor).

The BJT junction-temperature rise above the ambient can be calculated by multiplying the power dissipated in BJT by the sum of the thermal resistances of BJT from junction to ambient. To reduce the temperature rise, either the power dissipation or the thermal resistance should be reduced. It is a good practice to enlarge surface area of the board, fill copper on both sides, and add vias from top to bottom for reducing the thermal resistance.

Caution: The board should support 3W power dissipation for BJT at $T_A = +30^\circ\text{C}$. If the power dissipation in BJT is considerably higher, BJT junction temperature can reach unsafe levels and the device can be damaged.

Jumper Selection

Two-pin jumper J2 controls the EN pin of the MAX16803 and closing of J2 enables the device. Three-pin jumper J4 can select between three different output current settings. Three-pin jumper J3 controls the PWM input of the device. Table 1 lists the jumper options.

Table 1. Jumpers J1, J2, and J3 Functions

JUMPER	SHUNT POSITION AND FUNCTION		
	CLOSED		OPEN
	PINS 1-2	PINS 2-3	
J4	1A	750mA	450mA
J3	PWM disabled and always on	PWM disabled and always off	PWM enabled
J2	U1 enabled		U1 disabled

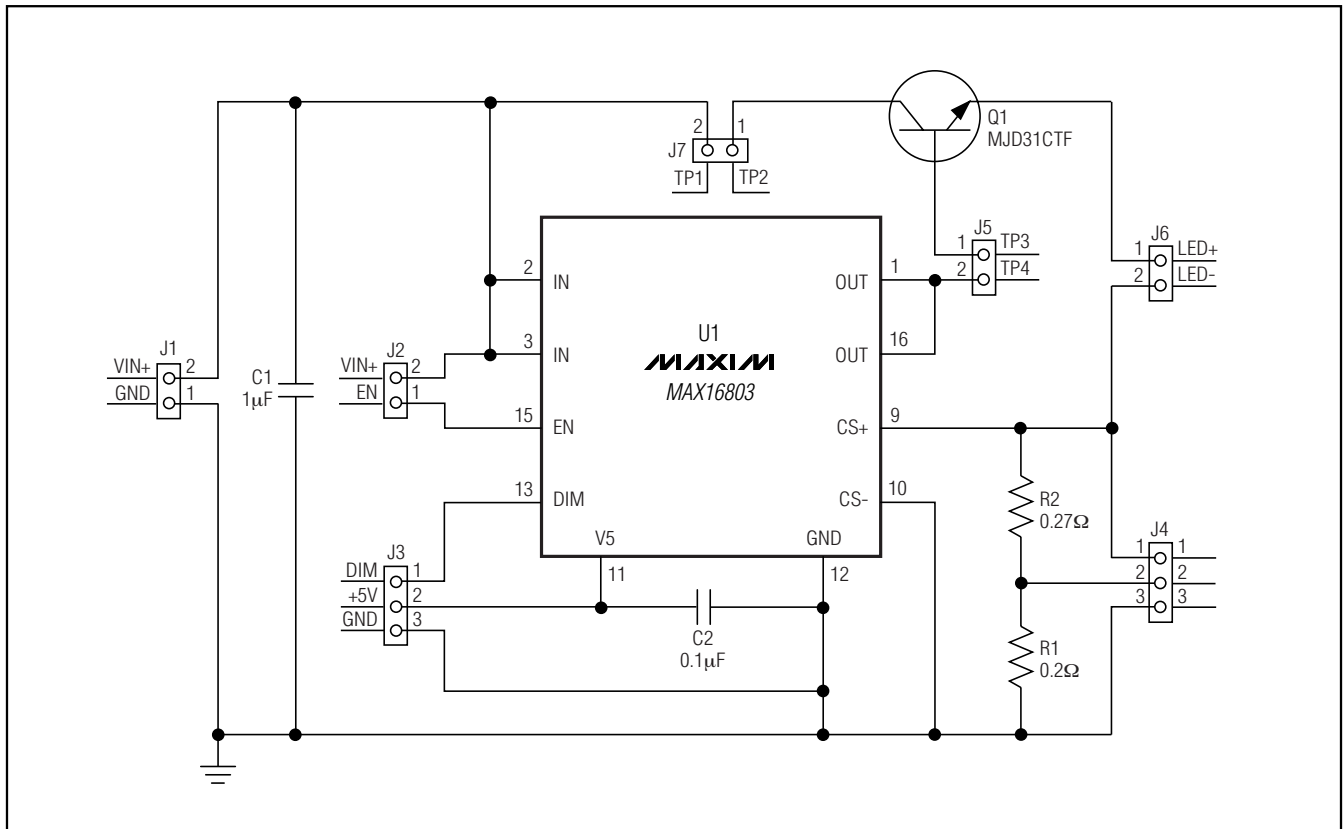


Figure 1. MAX16803EVKIT+BJT Schematic

MAX16803EVKIT+BJT Evaluation Kit+

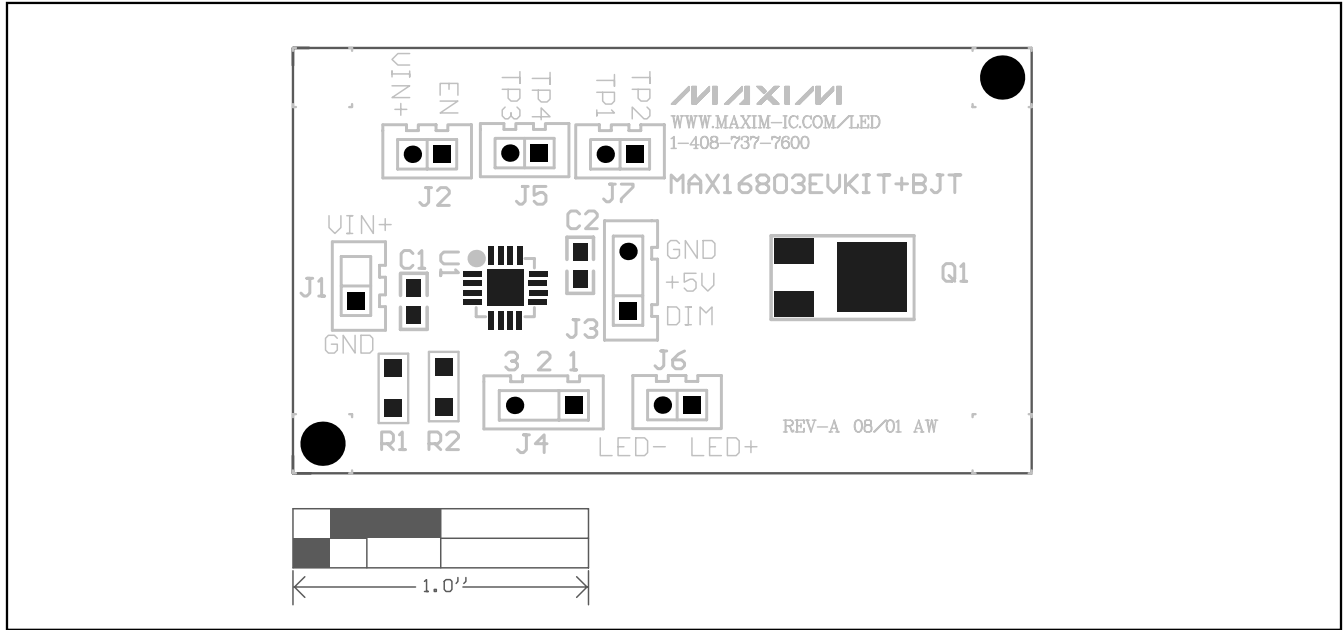


Figure 2. MAX16803EVKIT+BJT Component Placement Guide—Component Side

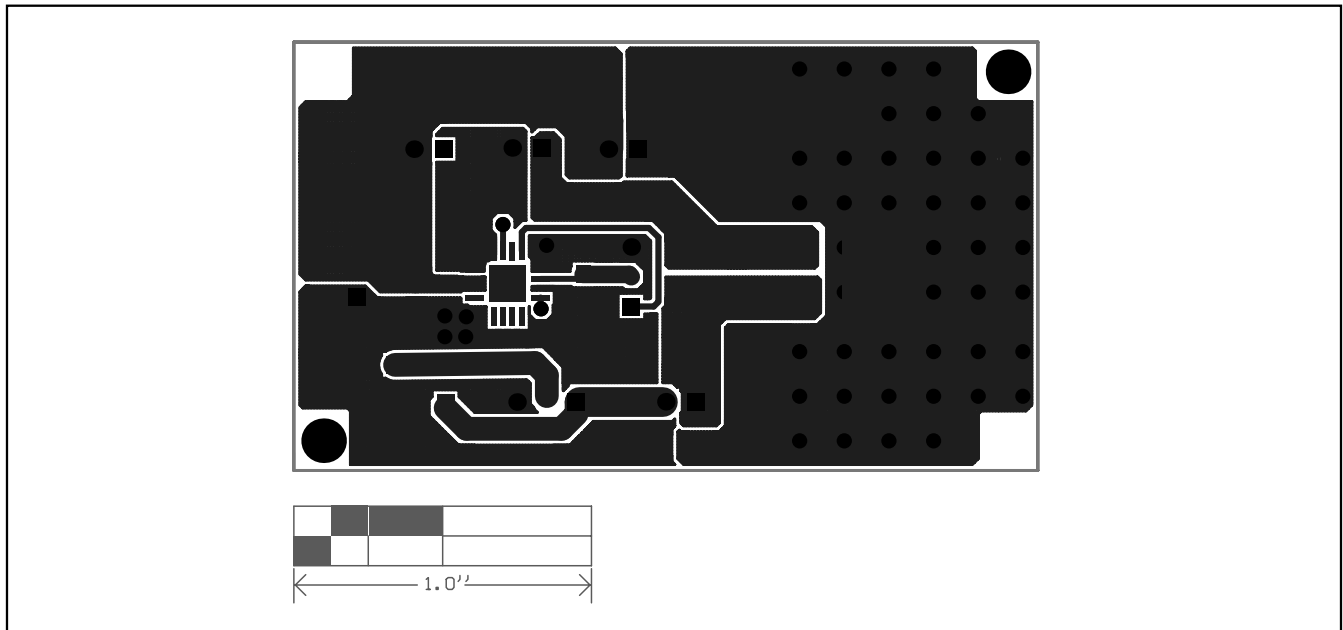


Figure 3. MAX16803EVKIT+BJT PCB Layout—Component Side

MAX16803EVKIT+BJT Evaluation Kit+

Evaluates: 1A Output Current Regulator Based on MAX16803

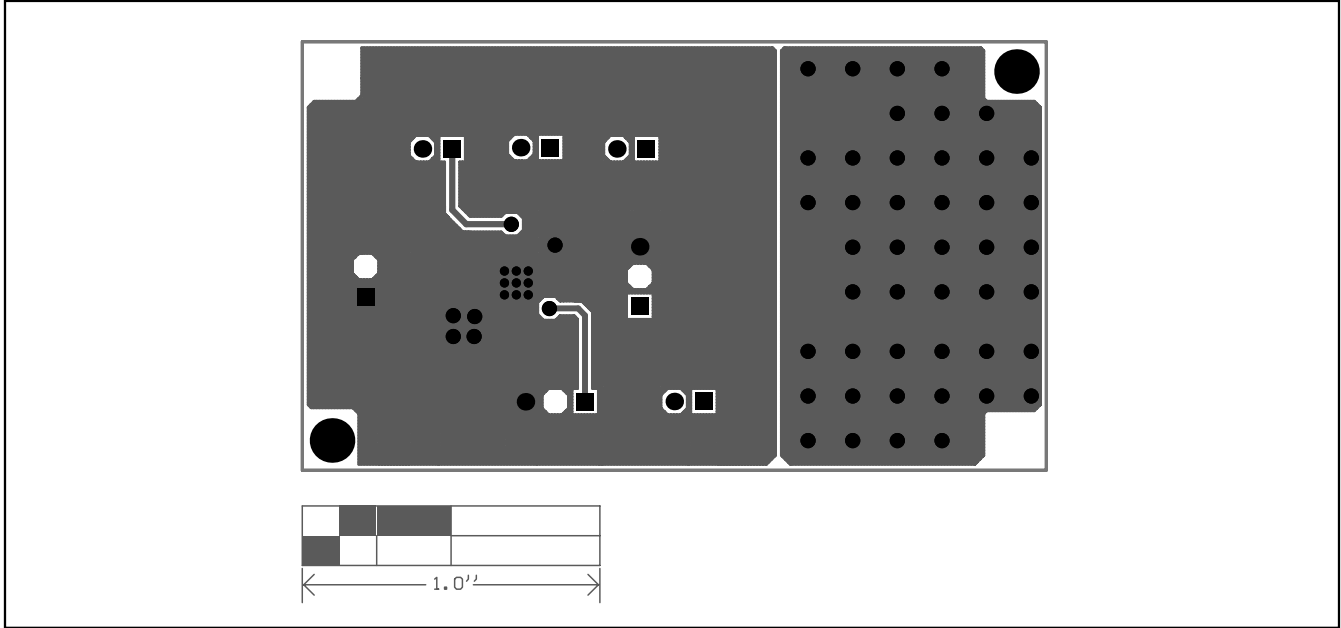


Figure 4. MAX16803EVKIT+BJT PCB Layout—Solder Side

Maxim cannot assume responsibility for use of any circuitry other than circuitry entirely embodied in a Maxim product. No circuit patent licenses are implied. Maxim reserves the right to change the circuitry and specifications without notice at any time.

Maxim Integrated Products, 120 San Gabriel Drive, Sunnyvale, CA 94086 408-737-7600 _____ 5